

# Technical data sheet

Product features



## Chilled display unit GN 3-1/1 drop-in, opening to the sides

Model

SAP Code

00012074



- Buffet type: PLATINUM - dynamically cooled showcase
- Device properties: Chilled
- Number of GN / EN: 3
- GN / EN size in device: GN 1/1
- GN device depth: 200
- Minimum device temperature [°C]: 4
- Maximum device temperature [°C]: 8
- Opening of device: Sliding to the sides

|                            |          |  |                    |
|----------------------------|----------|--|--------------------|
| <b>SAP Code</b>            | 00012074 | <b>Loading</b>                         | 230 V / 1N - 50 Hz |
| <b>Net Width [mm]</b>      | 1139     | <b>Number of GN / EN</b>               | 3                  |
| <b>Net Depth [mm]</b>      | 760      | <b>GN / EN size in device</b>          | GN 1/1             |
| <b>Net Height [mm]</b>     | 1210     | <b>GN device depth</b>                 | 200                |
| <b>Net Weight [kg]</b>     | 116.00   | <b>Minimum device temperature [°C]</b> | 4                  |
| <b>Power electric [kW]</b> | 0.247    | <b>Maximum device temperature [°C]</b> | 8                  |

# Technical data sheet

Technical drawing



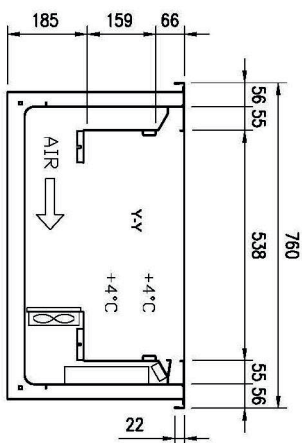
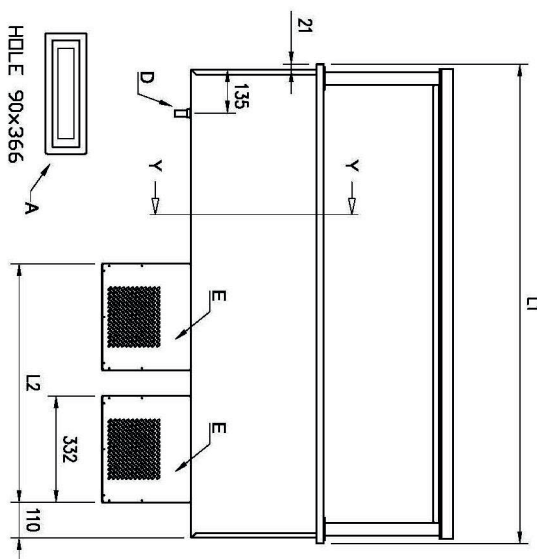
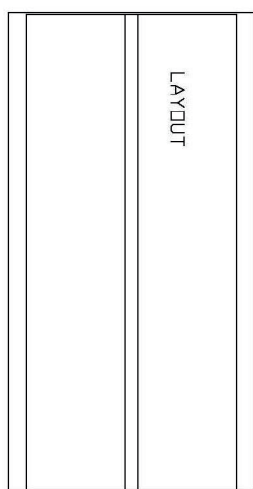
Chilled display unit GN 3-1/1 drop-in, opening to the sides

Model

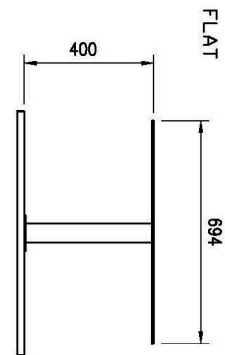
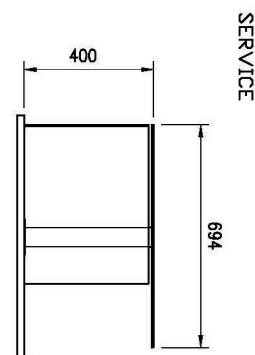
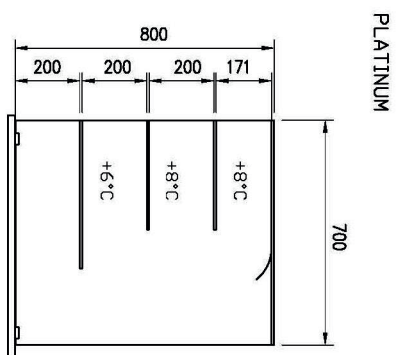
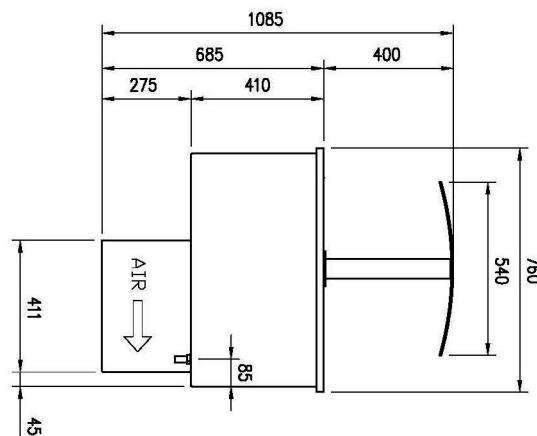
SAP Code

00012074

A= ELECTRICAL CONNECTION  
 D= WATER DISCHARGE Ø16  
 E= GAS CONNECTION Ø8 Ø10  
 F= WATER BOX



| GN  | L1   | L2   | HOLE     |
|-----|------|------|----------|
| 4/1 | 1494 | 744  | 1460x726 |
| 5/1 | 1819 | 744  | 1785x726 |
| 6/1 | 2144 | 1069 | 2110x726 |



# Technical data sheet

## Product benefits



### Chilled display unit GN 3-1/1 drop-in, opening to the sides

| Model | SAP Code | 00012074 |
|-------|----------|----------|
|-------|----------|----------|

1

#### **Dynamic cooling**

- constant temperature in all places of the refrigerated space
- greater hygienic safety of chilled food

2

#### **LED lighting**

- minimal energy consumption
- economical lighting
  - attractive appearance

3

#### **Surface height regulation**

- a large range of the height of the bottom surface of the display case
- greater variability of product storage
  - space saving

4

#### **Back attendant**

- service and delivery on different sides
- possibility to refill products at any time during operation

5

#### **Built-in**

- the possibility to plant in a dispensing block design
- unified design of the dispensing line
  - a luxurious look that customers appreciate

# Technical data sheet

Technical parameters



## Chilled display unit GN 3-1/1 drop-in, opening to the sides

| Model | SAP Code |
|-------|----------|
|       | 00012074 |

**1. SAP Code:**

00012074

**2. Net Width [mm]:**

1139

**3. Net Depth [mm]:**

760

**4. Net Height [mm]:**

1210

**5. Net Weight [kg]:**

116.00

**6. Gross Width [mm]:**

1233

**7. Gross depth [mm]:**

860

**8. Gross Height [mm]:**

1830

**9. Gross Weight [kg]:**

174.10

**10. Device type:**

Electric unit

**11. Buffet type:**

PLATINUM - dynamically cooled showcase

**12. Device properties:**

Chilled

**13. Exterior color of the device:**

Stainless steel

**14. Power electric [kW]:**

0.247

**15. Loading:**

230 V / 1N - 50 Hz

**16. Number of GN / EN:**

3

**17. GN / EN size in device:**

GN 1/1

**18. GN device depth:**

200

**19. Minimum device temperature [°C]:**

4

**20. Maximum device temperature [°C]:**

8

**21. Opening of device:**

Sliding to the sides

**22. Interior lighting:**

No

**23. Cross-section of conductors CU [mm<sup>2</sup>]:**

0,5

- Výkon (kW): 2,4-3,3 (230 V)

**24. Refrigerant:**

R290